



<b>Project:</b>	<b>Type:</b>
<b>Prepared By:</b>	<b>Date:</b>

Driver Info		LED Info	
Type	Constant Current	Watts	29W
120V	0.25A	Color Temp	Field Adjustable
208V	0.15A	Color Accuracy	83-86 CRI
240V	0.13A	L70 Lifespan	100,000 Hours
277V	0.12A	Lumens	2432-4913
Input Watts	18.5-38.6W	Efficacy	116.2-139.1 lm/W
			lm/W

## Technical Specifications

### Field Adjustability

#### Field Adjustable:

Field Adjustable Light Output:  
2' x 2': 19W/29W/39W (factory default 29W)  
Color temperature (selectable by 3500K, 4000K and 5000K)

### Compliance

#### UL Listed:

Suitable for damp locations

#### IESNA LM-79 & IESNA LM-80 Testing:

RAB LED luminaires and LED components have been tested by an independent laboratory in accordance with IESNA LM-79 and LM-80.

#### DLC Listed:

This product is on the Design Lights Consortium (DLC) Qualified Products List and is eligible for rebates from DLC Member Utilities. Designed to meet DLC 5.1 requirements.

DLC Product Code: PD0NA0YP

### Electrical

#### Driver:

Class 2, Constant Current, 120-277V, 50/60 Hz, 120V: 0.25A, 208V: 0.14A, 240V: 0.12A, 277V: 0.11A

### Dimming Driver:

Driver includes dimming control wiring for 0-10V dimming systems. Requires separate 0-10V DC dimming circuit. Dims down to 10%.

#### THD:

4.65% at 120V, 16.05% at 277V

#### Power Factor:

99.8% at 120V, 97.4% at 277V

#### Surge Protection:

2kV

### Construction

#### Cold Weather Starting:

The minimum starting temperature is -30°C (-22°F)

### Ambient Temperature:

Suitable for use in up to 40°C (104°F)

#### IC Rated:

Suitable for direct contact with insulation

#### Housing:

Die-formed, 20-gauge, cold-rolled steel

#### Mounting:

Recessed ceiling

## Technical Specifications (continued)

### Construction

**Reflector:**

Integral reflector (on the sides) with high reflectance finish, optimized for uniform distribution.

**Lens:**

Frosted polycarbonate

**Finish:**

Formulated for high durability and long-lasting color

**Green Technology:**

Mercury and UV free. RoHS-compliant components.

### LED Characteristics

**LEDs:**

Long-life, high-efficacy, surface-mount LEDs

**Color Stability:**

LED color temperature is warrantied to shift no more than 200K in color temperature over a 5-year period

**Color Uniformity:**

RAB's range of Correlated Color Temperature follows the guidelines of the American National Standard for Specifications for the Chromaticity of Solid State Lighting (SSL) Products, ANSI C78.377-2017.

### Performance

**Lifespan:**

100,000-Hour LED lifespan based on IES LM-80 results and TM-21 calculations

### Other

**Warranty:**

RAB warrants that our LED products will be free from defects in materials and workmanship for a period of five (5) years from the date of delivery to the end user, including coverage of light output, color stability, driver performance and fixture finish. RAB's warranty is subject to all terms and conditions found at [rablighting.com/warranty](http://rablighting.com/warranty).

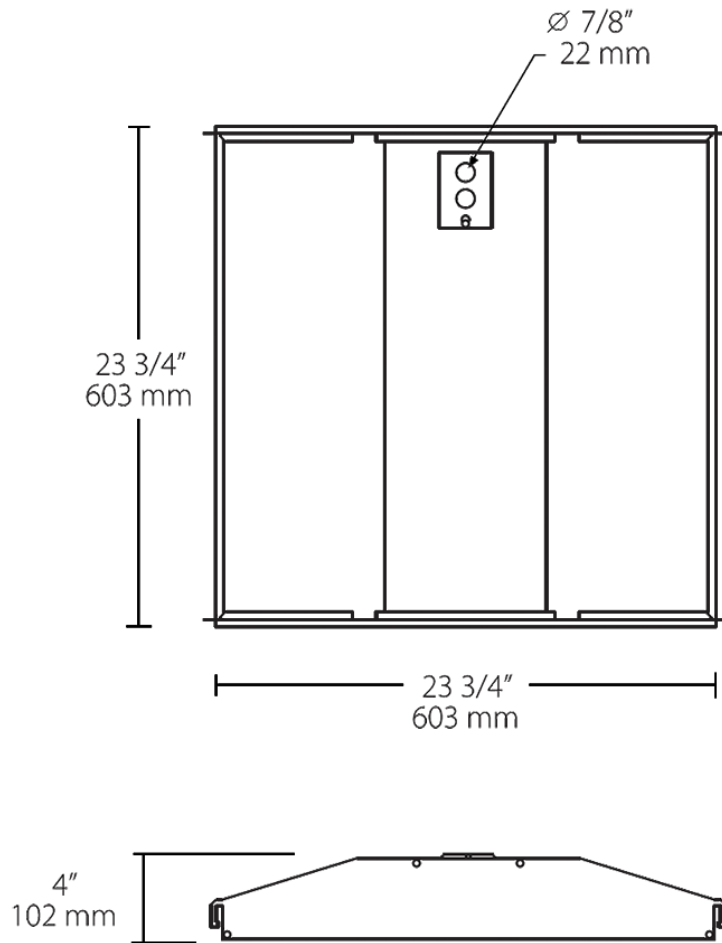
**Trade Agreements Act Compliant:**

This product is a product of Cambodia and a "designated country" end product that complies with the Trade Agreements Act

**Buy American Act Compliance:**

RAB values USA manufacturing! Upon request, RAB may be able to manufacture this product to be compliant with the Buy American Act (BAA). Please contact customer service to request a quote for the product to be made BAA compliant.

## Dimensions



Ordering Matrix

Family	Size	Voltage / Driver	Options
SWISHFA	2X2	/D10	

2X2 = 2' x 2'  
2X4 = 2' x 4'

/D10 = 0-10V Dimming

Blank = No Option  
/MVS = Microwave Occupancy Sensor  
/LC = Lightcloud Control  
/LCS = Lightcloud Sensor  
/E2 = Battery Backup